



PRODUCT: JL 2-Door Overland Rocker Base

REV: A | 04-18-2019 | II-6318

**READ INSTRUCTIONS IN FULL BEFORE INSTALLATION.
QUESTIONS? CALL 916-631-8071 M-F 7:00 AM – 5:00 PM PST**

The MetalCloak experience includes the ease of installation of our products. We design for most contingencies, but installation may be different based on different Jeep condition, configuration and/or year.

We are continually trying to improve our products and instructions – please help us by providing feedback and pictures if you find any part of the instructions that do not match your particular Jeep or are not easily understandable.

If you have any difficulties at all, please give us a call. Thank you and enjoy your MetalCloak Products!

IMPORTANT NOTE: We use Stainless Steel Hardware where possible. Therefore, a tube of Silver Anti-seize is provided and should be used on all bolts—only a small amount is needed.

WARRANTY INFORMATION: This article is sold without warranty expressed or implied. No warranty or representation is made as to this products ability to protect the user from injury or death. The user assumes that risk. The effectiveness, warranty and longevity of this equipment are directly related to the manner in which it is INSTALLED, USED and/or MAINTAINED. THE USER ASSUMES ALL RISK. By purchasing this product and opening the packaging, purchasers expressly acknowledge, understand and agree that they take, select and purchase these MetalCloak products from Armored Works, LLC, its affiliates and distributors and agents as is and with all faults. The entire risk as to the quality and performance of these MetalCloak products is with the purchaser. Working on your vehicle can be a dangerous activity. If you are unsure of what you are doing, please leave mechanical or safety critical work to a skilled mechanic. We take no responsibility for the incorrect use and/or installation of MetalCloak products.

Section 1: Tools & Notes on Installation



Tools Required: This list is the recommended tools for ease of installation. Other versions of the same tool can be used. For example, Allen Wrenches instead of Allen Drive Sockets.



Socket & Ratchet Wrench

7/32" Allen Drive Socket



13/32" Drill Bit

9/16" Hex Drive Socket
10mm Hex Drive Sockets
13mm Hex Drive Sockets



Center Punch

9/16" Crescent and/or Box Wrench



HOW TO USE THIS GUIDE: The installation guide contains ALL steps for installation. Please read and follow the instructions in order of each page top to bottom, and left to right.

Jeep Model: Instructions may apply to multiple Jeep models, but are labeled separately where appropriate (i.e. TJ vs. LJ).

Options: Because of the number of component options we offer, these instructions may contain steps that will not match your particular configuration. You can skip these steps.

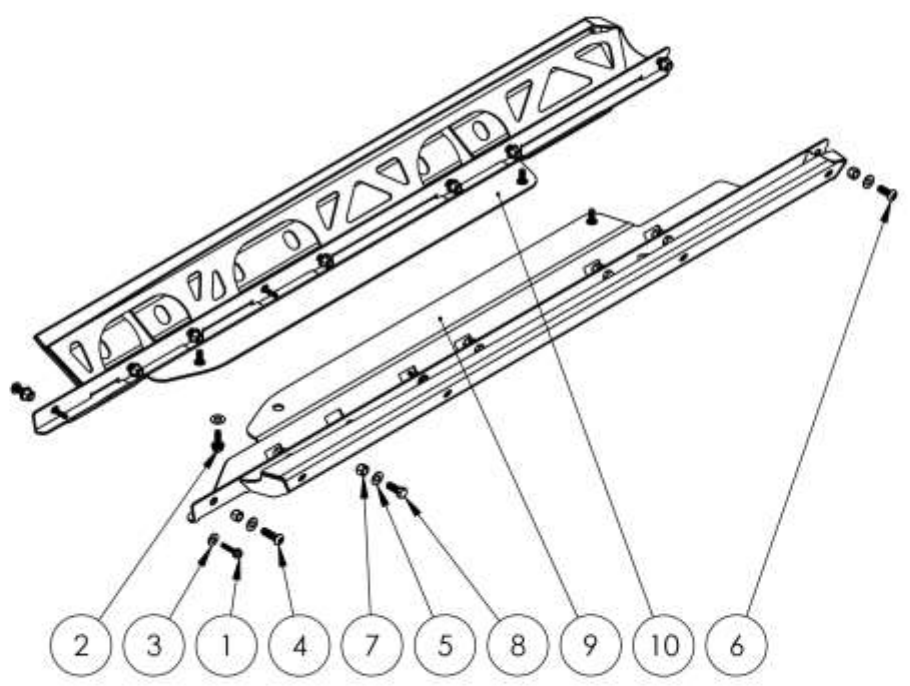
Images: Pictures are provided and parts are labeled throughout the instructions. Each text box contains guidance based on the pictures next to it. The text will refer to alphabetical labels (A, B, etc.) found in the images.

Installation Notes: Terms may be used in the body of the instructions that you may not be familiar with, if you have any questions feel free to contact us at the number below, or email techhelp@metalcloak.com

QUESTIONS: Any questions or comments about the instructions? Call us at 916-631-8071 M-F 7:00 AM – 5:00 PM PST.

Section 2: Product Components

ITEM	PART NUMBER/DESCRIPTION	QTY.	BIN
1	FM-06193 HHCS SERRATED FLANGE, M6-1.0 X 30L STL C10.9 ZINC	4	
2	FM-08094 HHCS SERRATED FLANGE, M8-1.25 X 25L STL C8.8 ZINC	4	B33
3	FS-05046 WASHER, 0.34ID X 0.75OD X 0.04TH SS 18-8	4	B4
4	FS-06002-BZ SBHCSC, 0.38-16 X 1.25L STL G8 BLACK ZINC	2	A38
5	FS-06004 WASHER, 0.41ID X 0.81OD X 0.05TH SS 18-8	18	B5
6	FS-06010-BZ SBHCS, 0.38-16 X 1.0L STL G8 BLACK ZINC	2	A37
7	FS-06030 NYLOCK NUT, 0.38-16 X 0.45H STL GF ZINC	14	B14
8	FS-06031 HHCS, 0.38-16 X 1.0L STL G5 ZINC	10	C1
9	WM-6026 WELDMENT, OVERLAND ROCKER, JL	1	
10	WM-6026-P WELDMENT, OVERLAND ROCKER, JL	1	



THE INFORMATION CONTAINED ON THIS DRAWING IS THE EXCLUSIVE PROPERTY OF ARMORED WORKS, LLC. UNAUTHORIZED REPRODUCTION IS PROHIBITED.

DO NOT SCALE DRAWING


Metal Cloak
A DIVISION OF ARMORED WORKS, LLC

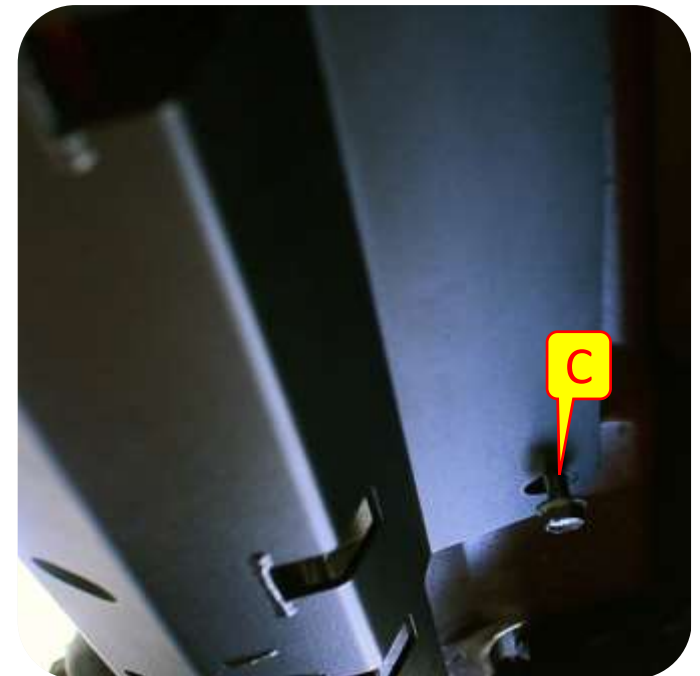
PART NUMBER/DESCRIPTION
6318 OVERLAND ROCKER RAIL, JL

Section 3: Installation Instructions

Step 1: Preparation for Overland Rocker Base

- A. Remove stock rocker.
- B. Using a 13/32 drill bit drill out the 6 marked holes.
- C. Place the rocker base up to the Jeep and install the two bolts under the Jeep in the stock locations. Make sure the bolts are snug to help hold the rocker base into place.

Note: *If you already have the MetalCloak front fenders installed. You will not have to drill out the front hole [] as it is already drilled to the appropriate size. Instead use a 7/32 allen wrench and a 9/16 wrench to remove the bolt. Save hardware.*



Section 3: Installation Instructions

Step 1: Preparation for Overland Rocker Base

- D. Temporarily install the bolts in the drilled out holes to keep the rocker base in place.
- E. Using a sharpie, mark the final hole for drilling.
- F. Remove rocker base from the Jeep in preparation for drilling.
- G. Center punch the marked location.
- H. Drill the hole in the marked location stepping up to a 13/32 drill bit.



Important Note: MetalCloak recommends painting any exposed metal to help prevent rust.



Section 3: Installation Instructions

Step 2: Overland Rocker Base

- I. Align the rocker base to the side of the vehicle. If you have the MetalCloak Front fenders make sure the front of the rocker is between the sheet metal and the MetalCloak fender.
- J. Using a 13mm socket install the bolts on the underside of the rocker base.
- K. Install the two button head bolts on both ends of the rocker base by using a 7/32 allen and 9/16 wrench.



Section 3: Installation Instructions



Step 2: Overland Rocker Base

- L. Using a 9/16 socket and wrench install the provided hardware in the previously drilled out locations [●].
- M. Using a 10mm socket install the provided bolt into the stock weld nut [■].

