



PRODUCT: JL 2-Door Rocker ExoSkins

REV: A | 04-23-2019 | II-6321

**READ INSTRUCTIONS IN FULL BEFORE INSTALLATION.
QUESTIONS? CALL 916-631-8071 M-F 7:00 AM – 5:00 PM PST**

The MetalCloak experience includes the ease of installation of our products. We design for most contingencies, but installation may be different based on different Jeep condition, configuration and/or year.

We are continually trying to improve our products and instructions – please help us by providing feedback and pictures if you find any part of the instructions that do not match your particular Jeep or are not easily understandable.

If you have any difficulties at all, please give us a call. Thank you and enjoy your MetalCloak Products!

IMPORTANT NOTE: We use Stainless Steel Hardware where possible. Therefore, a tube of Silver Anti-seize is provided and should be used on all bolts—only a small amount is needed.

WARRANTY INFORMATION: This article is sold without warranty expressed or implied. No warranty or representation is made as to this products ability to protect the user from injury or death. The user assumes that risk. The effectiveness, warranty and longevity of this equipment are directly related to the manner in which it is INSTALLED, USED and/or MAINTAINED. THE USER ASSUMES ALL RISK. By purchasing this product and opening the packaging, purchasers expressly acknowledge, understand and agree that they take, select and purchase these MetalCloak products from Armored Works, LLC, its affiliates and distributors and agents as is and with all faults. The entire risk as to the quality and performance of these MetalCloak products is with the purchaser. Working on your vehicle can be a dangerous activity. If you are unsure of what you are doing, please leave mechanical or safety critical work to a skilled mechanic. We take no responsibility for the incorrect use and/or installation of MetalCloak products.

Section 1: Tools & Notes on Installation



Tools Required: This list is the recommended tools for ease of installation. Other versions of the same tool can be used. For example, Allen Wrenches instead of Allen Drive Sockets.



Socket & Ratchet Wrench

7/32" Allen Drive Socket



1/8 Drill Bit 3/8 Drill Bit
7/16 Drill Bit 7/32 Drill Bit
17/32 Drill Bit

10mm Hex Drive Sockets
9/16" Hex Drive Sockets



Center Punch

11/16" Box Wrench



HOW TO USE THIS GUIDE: The installation guide contains ALL steps for installation. Please read and follow the instructions in order of each page top to bottom, and left to right.

Jeep Model: Instructions may apply to multiple Jeep models, but are labeled separately where appropriate (i.e. TJ vs. LJ).

Options: Because of the number of component options we offer, these instructions may contain steps that will not match your particular configuration. You can skip these steps.

Images: Pictures are provided and parts are labeled throughout the instructions. Each text box contains guidance based on the pictures next to it. The text will refer to alphabetical labels (A, B, etc.) found in the images.

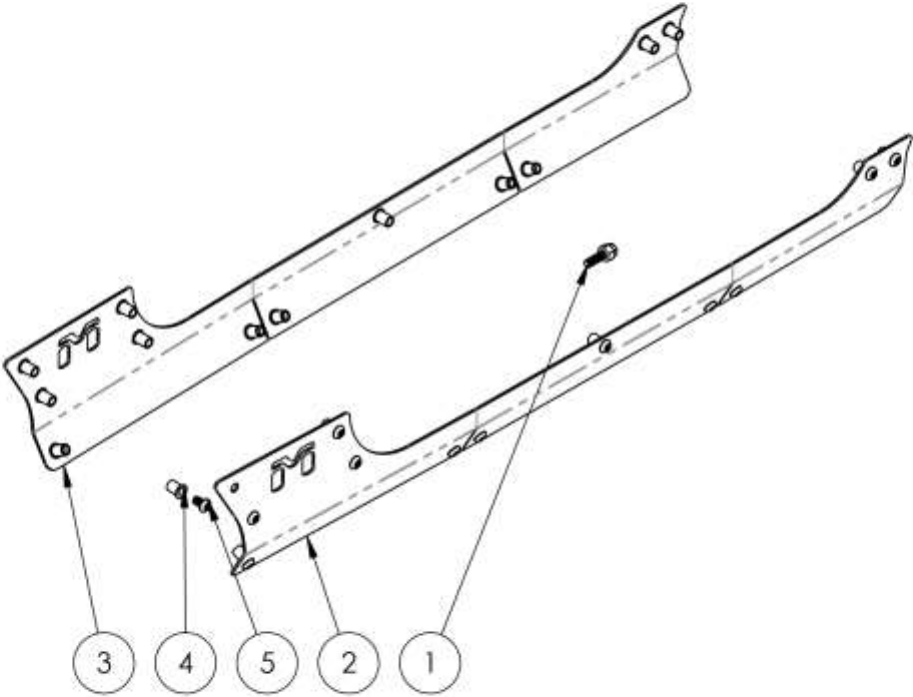

Installation Notes: Terms may be used in the body of the instructions that you may not be familiar with, if you have any questions feel free to contact us at the number below, or email techhelp@metalcloak.com

QUESTIONS: Any questions or comments about the instructions? Call us at 916-631-8071 M-F 7:00 AM – 5:00 PM PST.

Section 2: Product Components

DC-0001 REV A

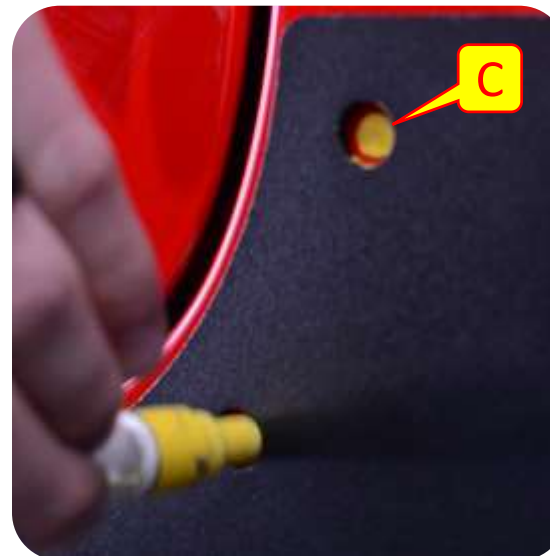
SHEET 1 OF 1

	1	2	3	4	5	6	7	8
	ITEM	PART NUMBER/DESCRIPTION			QTY.	BIN		
	1	8999 INSTALLATION TOOL, 0.38-16 RIVET NUT			1			
	2	CP-6019 PANEL, STOCK EXO-SKIN, JL			1			
E	3	CP-6019-P PANEL, STOCK EXO-SKIN, JL			1			
	4	FS-06033 RIVET NUT, 0.38-16 X 0.15GRIP STL G5 GOLD ZINC			24	C22		
	5	FS-06198-BZ SBHCSC, 0.38-16 X 0.63L STL G8 BLACK ZINC			24	A38		
D								
C								
B								
A								
THE INFORMATION CONTAINED ON THIS DRAWING IS THE EXCLUSIVE PROPERTY OF ARMORED WORKS, LLC. UNAUTHORIZED REPRODUCTION IS PROHIBITED. DO NOT SCALE DRAWING						 A DIVISION OF ARMORED WORKS, LLC		
PART NUMBER/DESCRIPTION						6321 STOCK ROCKER EXO-SKIN, JL		

Section 3: Installation Instructions

Step 1: Preparation for Rocker ExoSkin Installation

- A. Remove rocker rail.
- B. Using tape align the ExoSkin to the vehicle.
- C. Using a sharpie or paint pen mark each hole in preparation for drilling.
- D. Remove the ExoSkin and mark each bolt hole with a center punch.

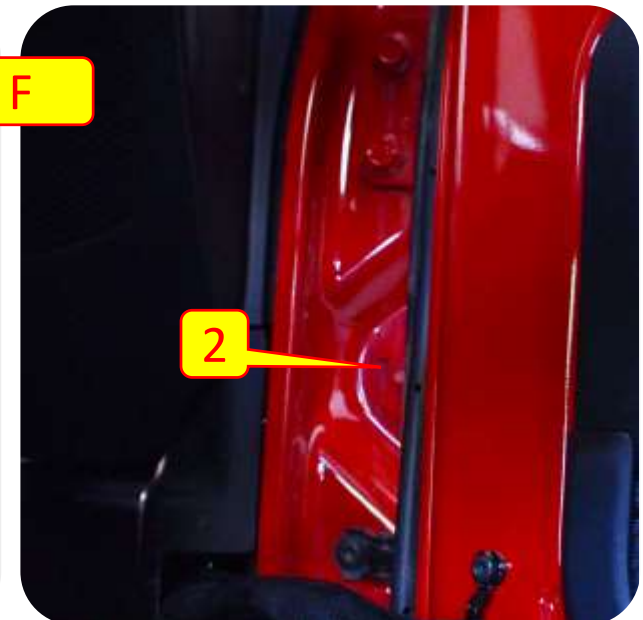


Section 3: Installation Instructions

Step 1: Preparation for Rocker ExoSkin Installation

- E. Start drilling bolt holes starting with the 1/8" drill bit stepping up (1/8" drill bit, 3/8" drill bit, 7/16" drill bit, 7/32" drill bit) to the final hole size being 17/32".
- F. Using a 10mm wrench disconnect the front fender panel by removing the two bolts from the door jam. This will help make installing the front rivet nuts easier.

Important Note: MetalCloak Recommends painting any exposed metal to help prevent rust.



Section 3: Installation Instructions



Step 2: Install Overline Rocker Rails

- G. Gently pry the front fender panel out before installing the rivet nuts.
- H. Use a 11/16" box wrench and a 9/16" socket or box wrench to Install rivet nuts using the provided rivet nut tool. **DO NOT FORGET THE LOCK WASHER WHEN INSTALLING THE RIVET NUTS.**



Section 3: Installation Instructions

Step 2: Install Overline Rocker Rails

- I. Using a 10mm socket reinstall the front fender panel to the door jam.
- J. Using the provided button head bolts install the rocker exoskin loosely.
- K. Once all bolts are installed into the rivet nuts tighten the bolts using a 7/32 allen wrench.
- L. Reinstall rocker rail.

